

Spe

Designed by:

Plans for p

Wingspan: 26"

Length: 21"

Flying weight: 10 oz

Speedy

Shaun Frank (3DMON)
personal use only.

Battery: 3s 1300mah lipo

Motor: 3000kv outrunner

Prop: 4.5x4.5

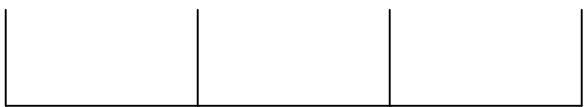
z's

Hole
speed c
wire

Ailer
Ser

)
for
control
s

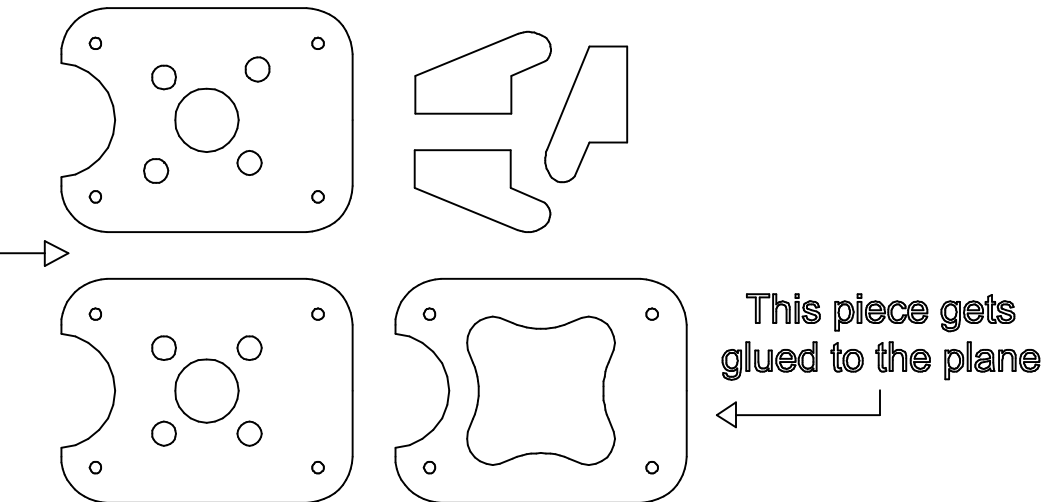
on
vo

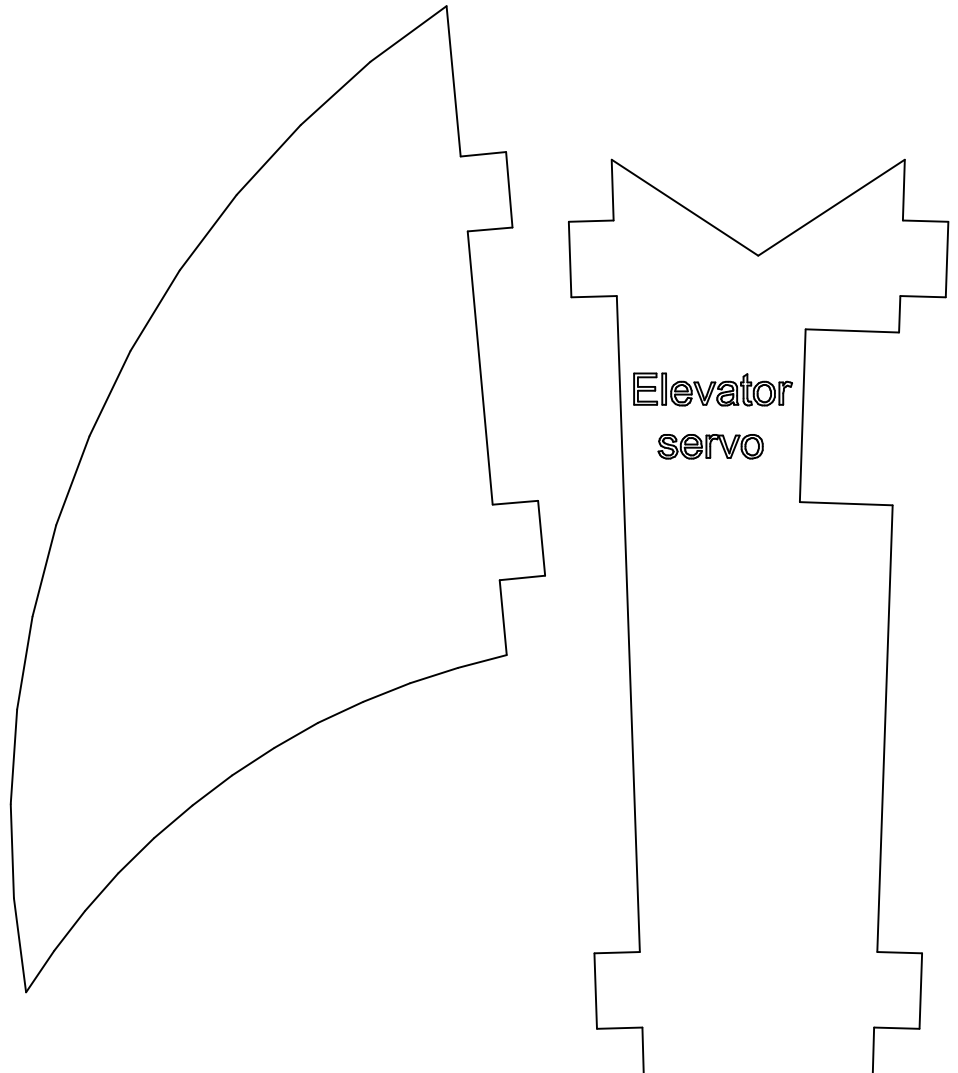
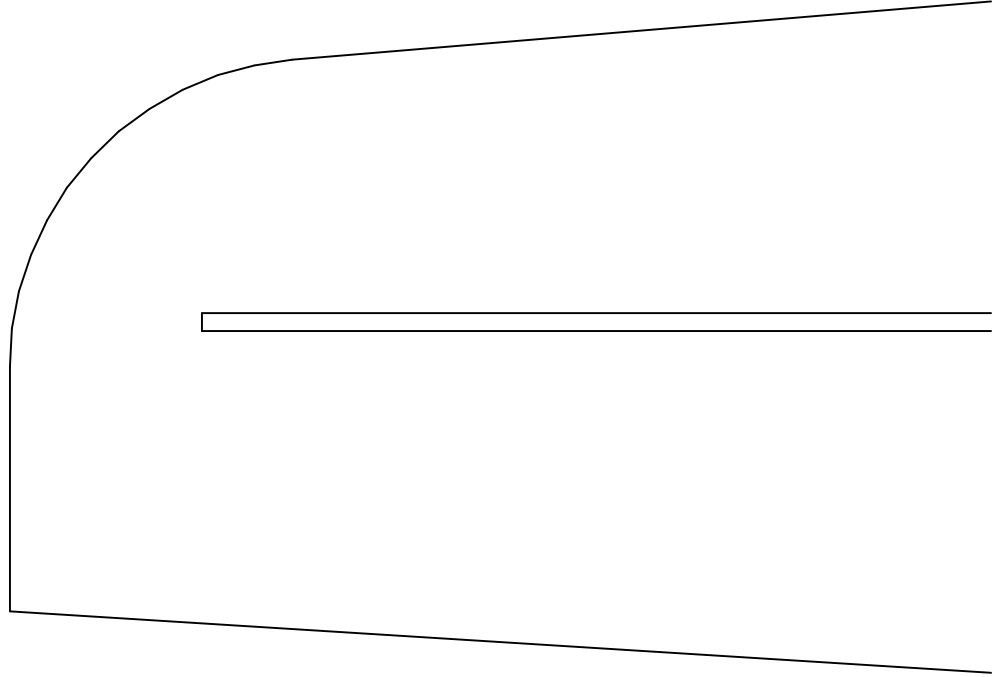


Each line represents 1"

The motor attaches to one of these pieces. This assembly screws to the firewall attached to the plane allowing you to change between different motors.

Motor mount and control horns
made from 1/16" plywood.

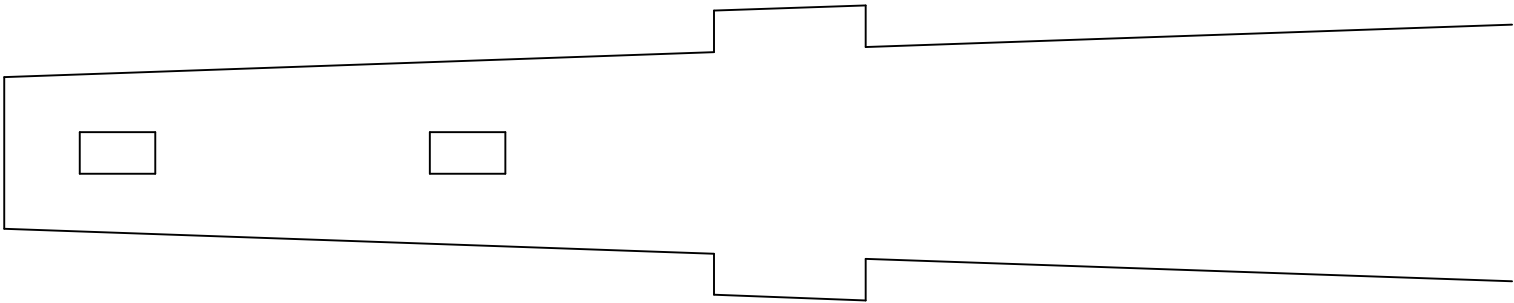
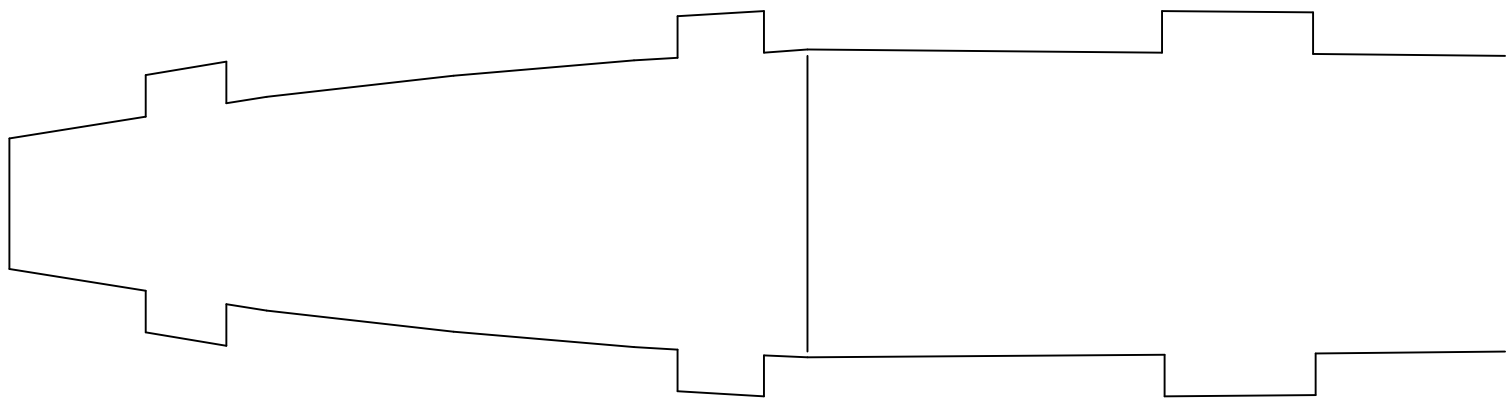




C.C.
⊕

.156 carb

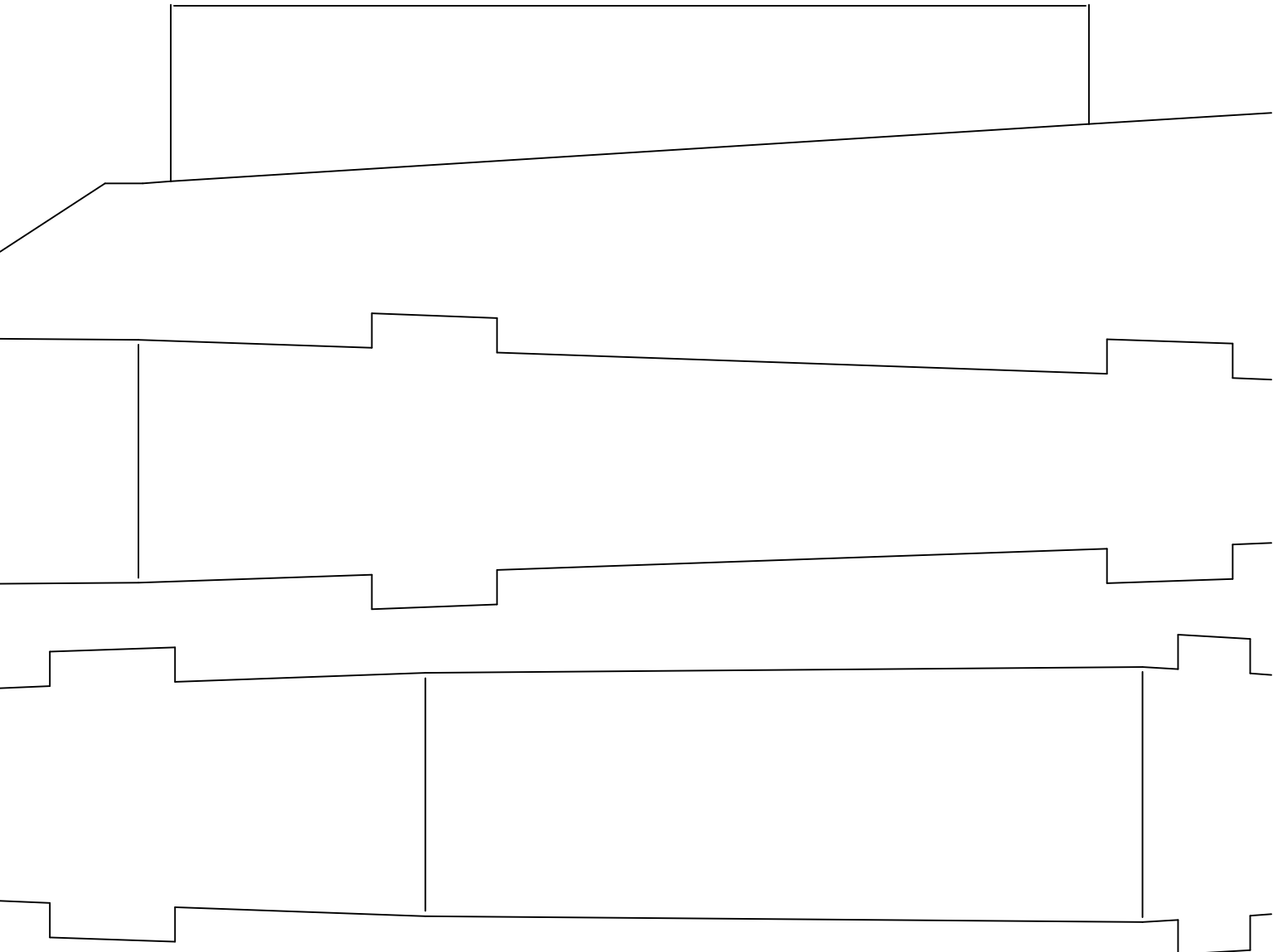
.196 carb

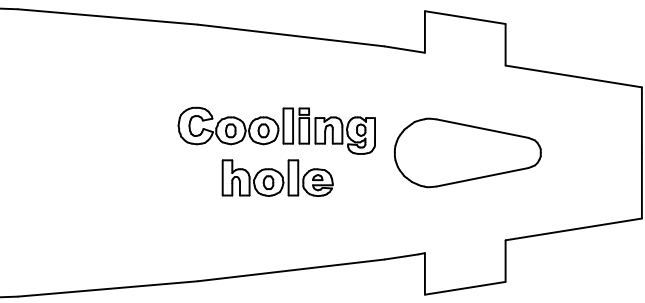
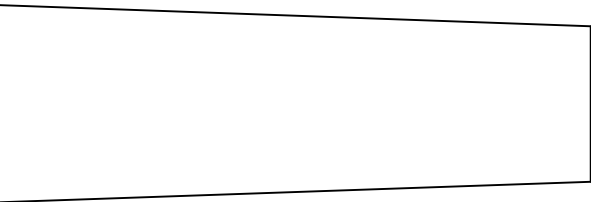
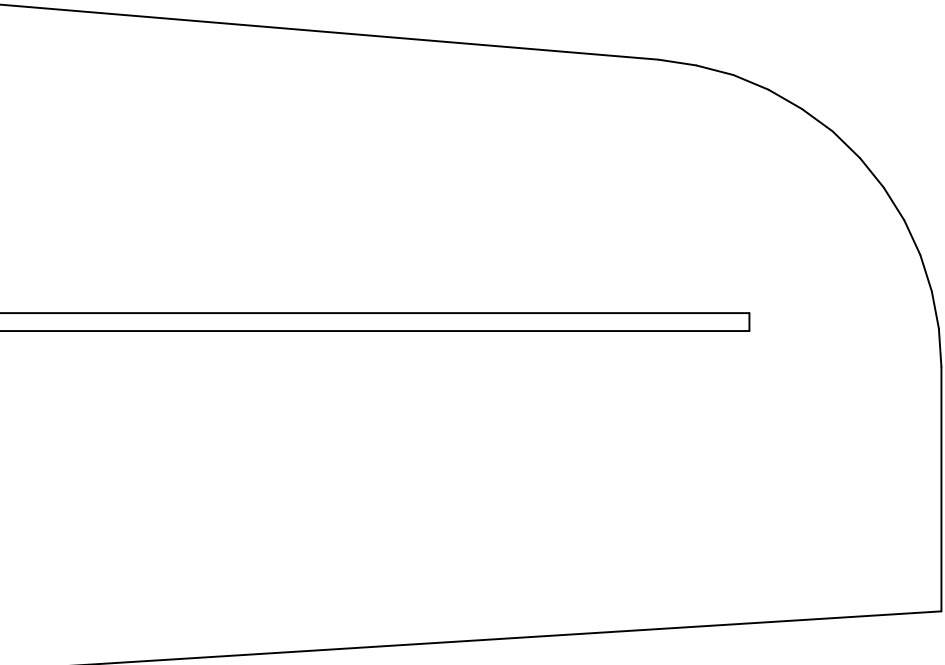


g.

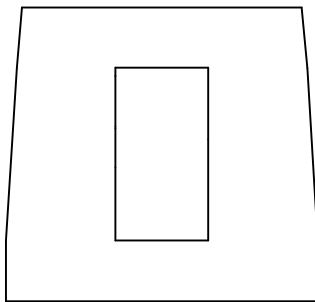
on spar

on spar

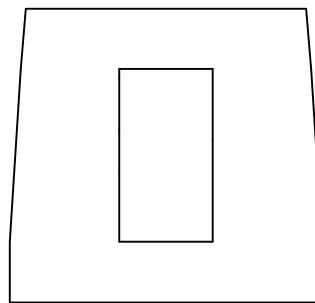


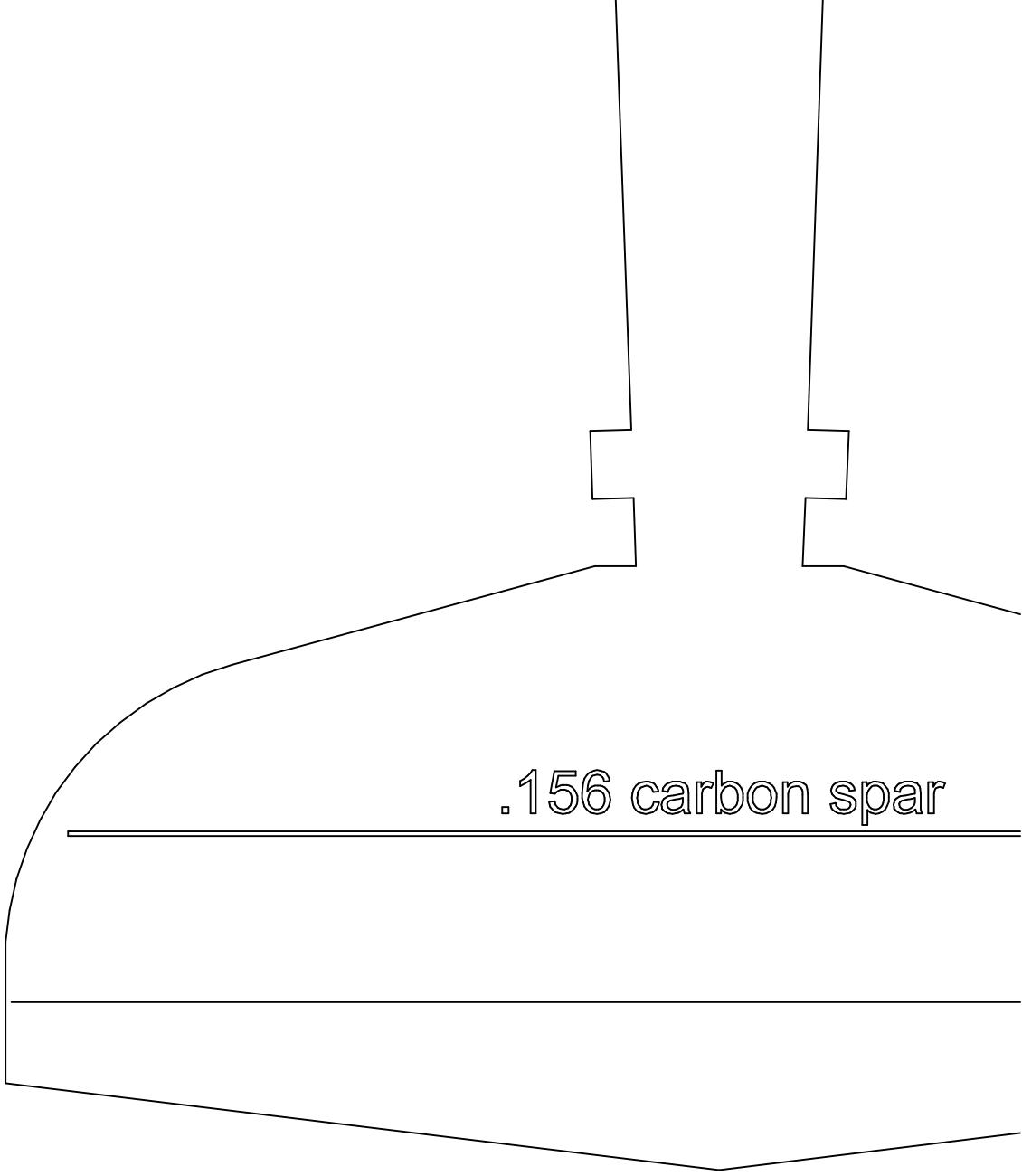


Cooling
hole



Optional
servo risers





.156 carbon spar

