

Lil' Ripper

Designed by: Shaun Frank

www.3DMONDESIGNS.com

Plans are for personal use only.

6mm and 3mm foam and 1/16" plywood used

Wingspan: 31"

Length: 31.5"

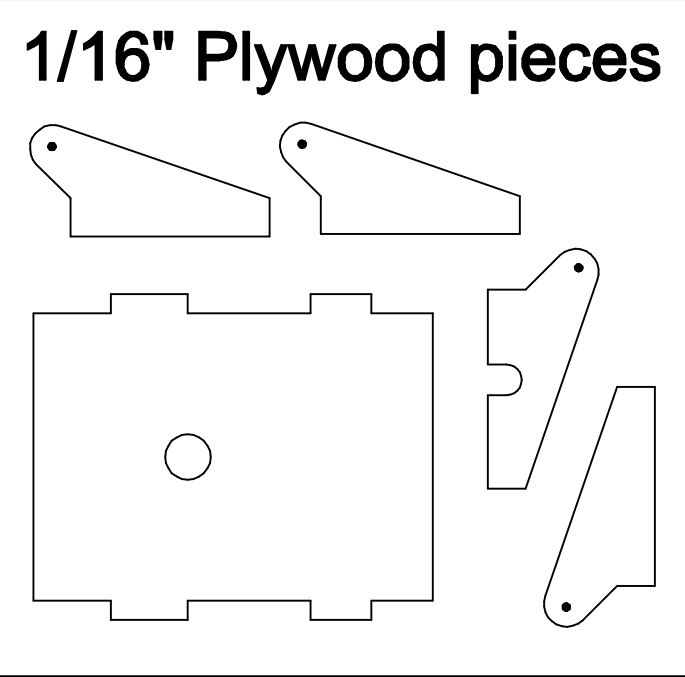
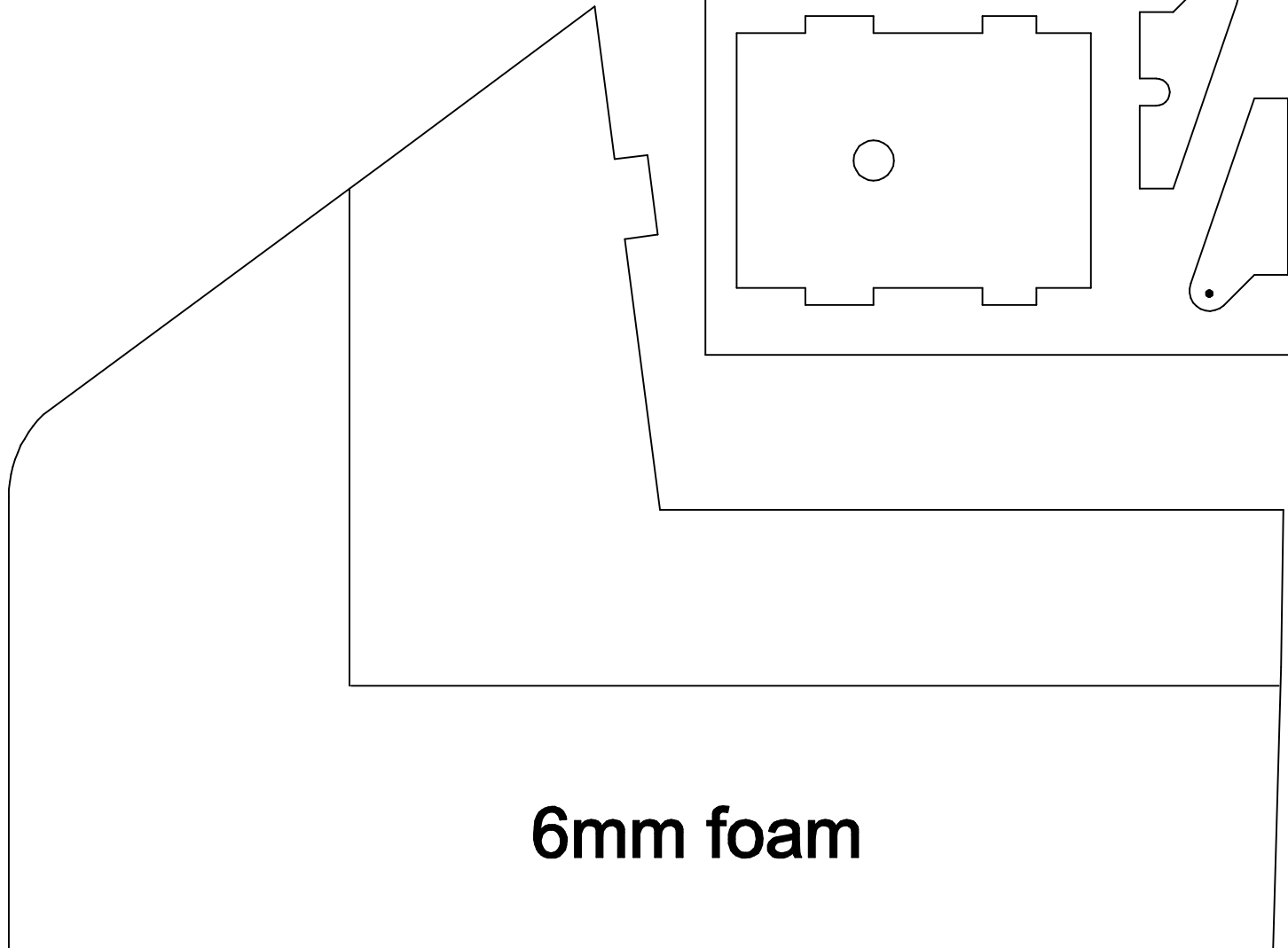
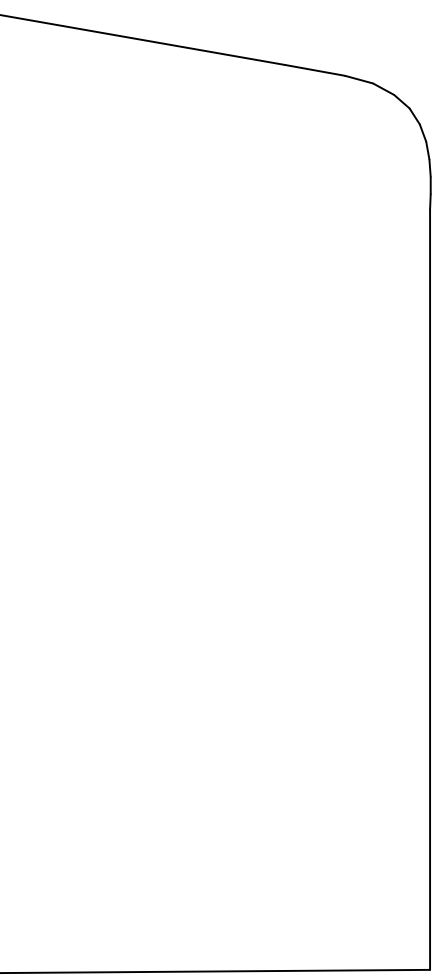
Flying Weight: 9-11 oz's



6mm foam

.120" x 5" Carbon tube

**6mm
Foam doubler
Motor mount**



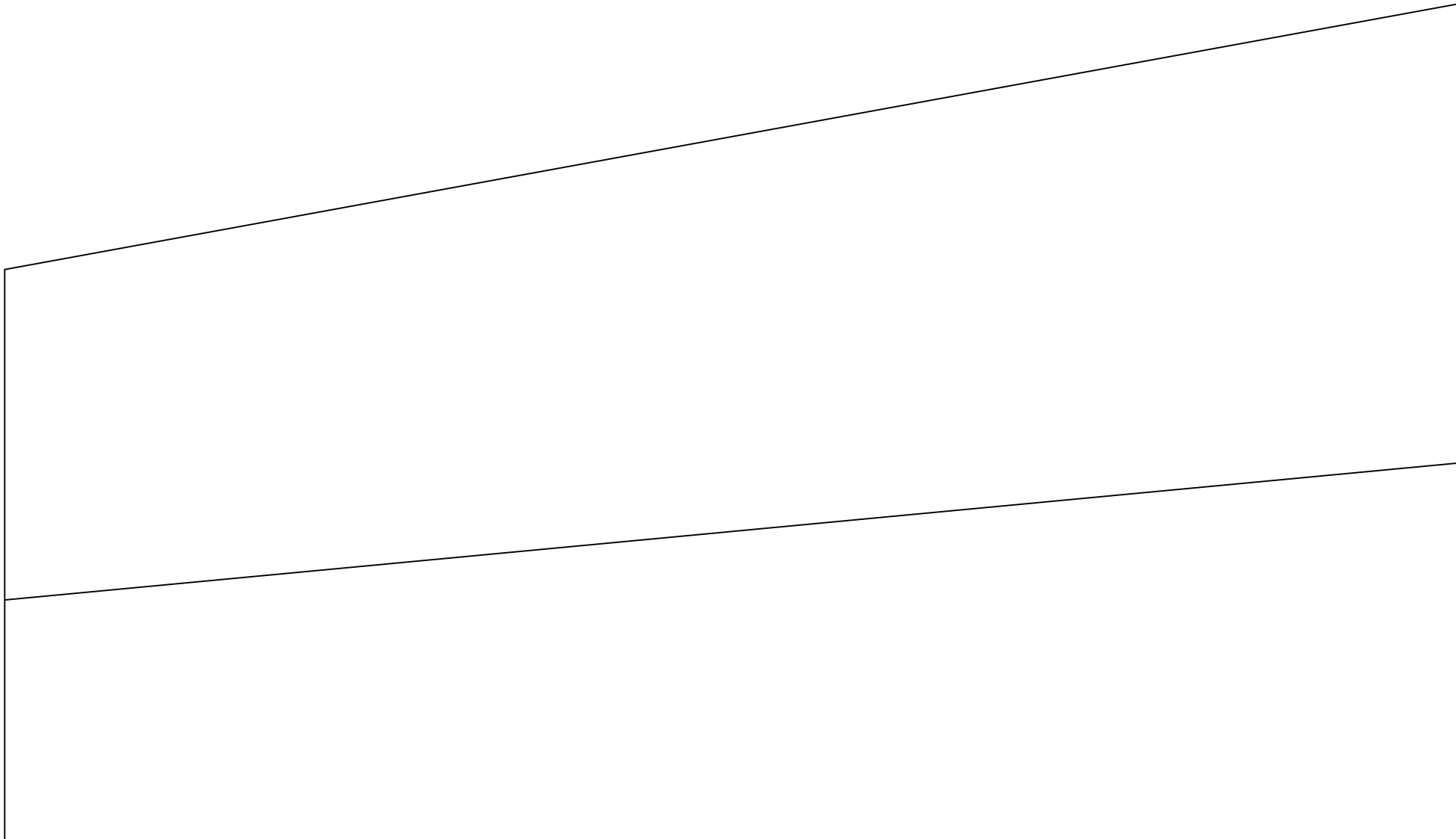
6mm foam

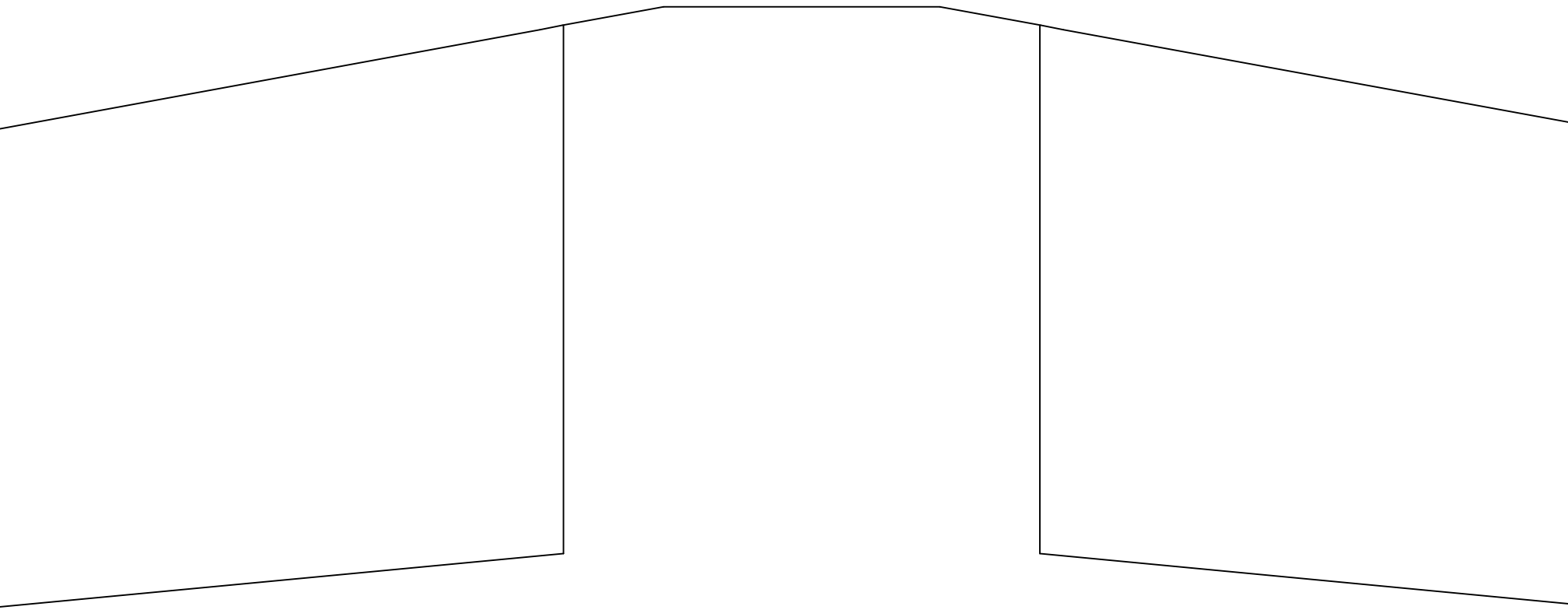
Motor: 24g 1300-1500kv "Blue Wonder"

Speed Control: 10-15 amp

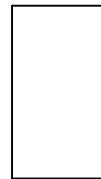
Battery: 3s 500-800 mah

Servos: Hitec HS-55 or similar

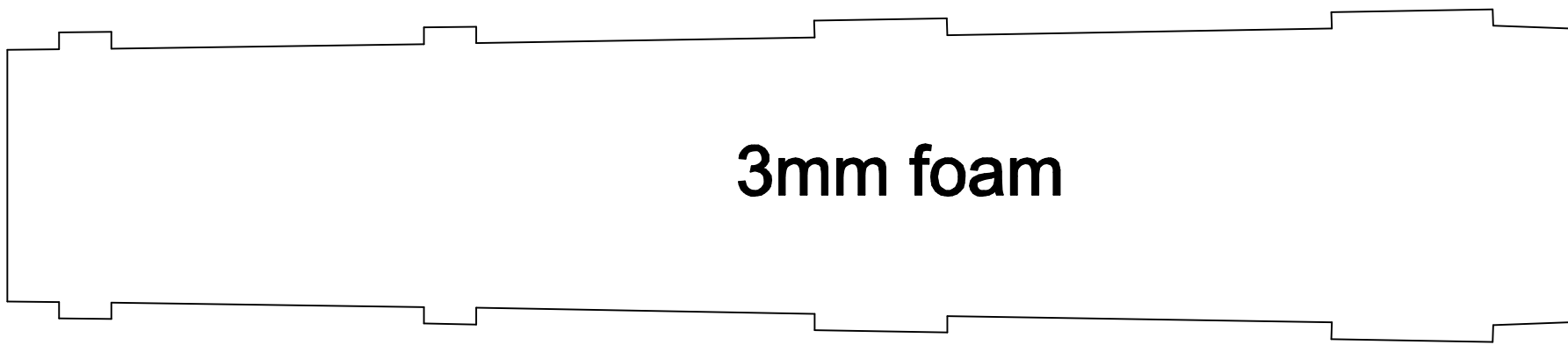
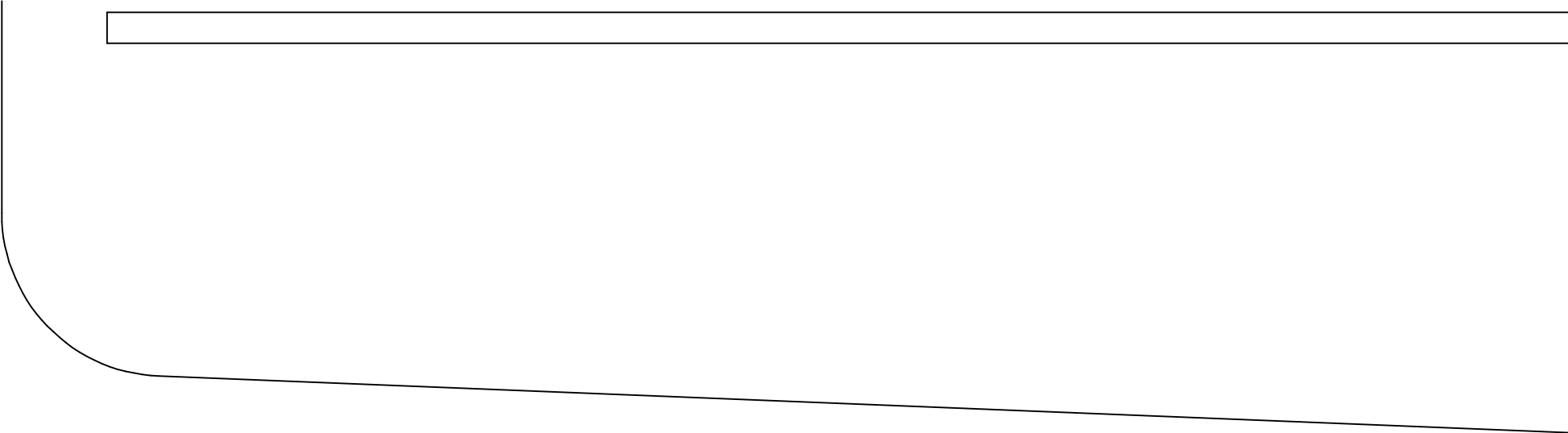




6mm foam

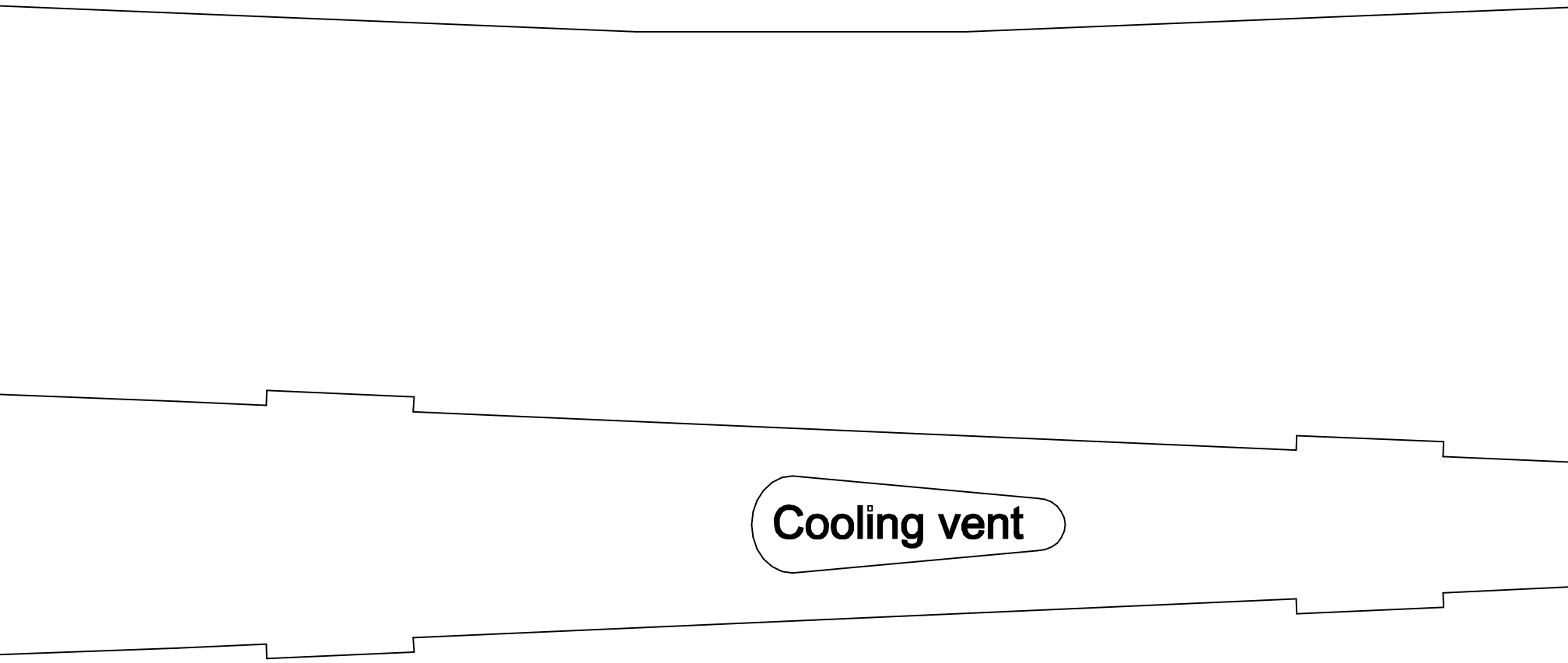




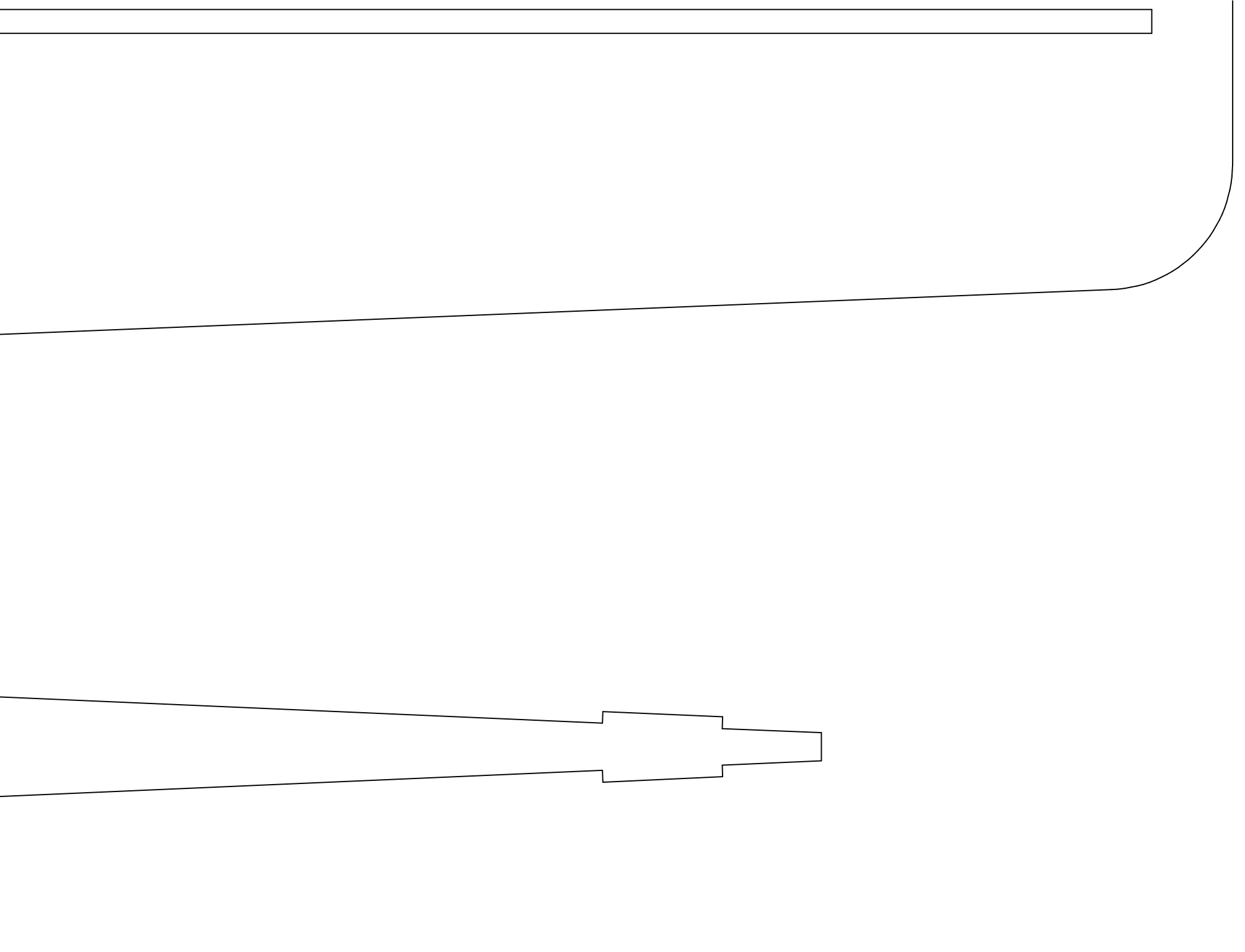


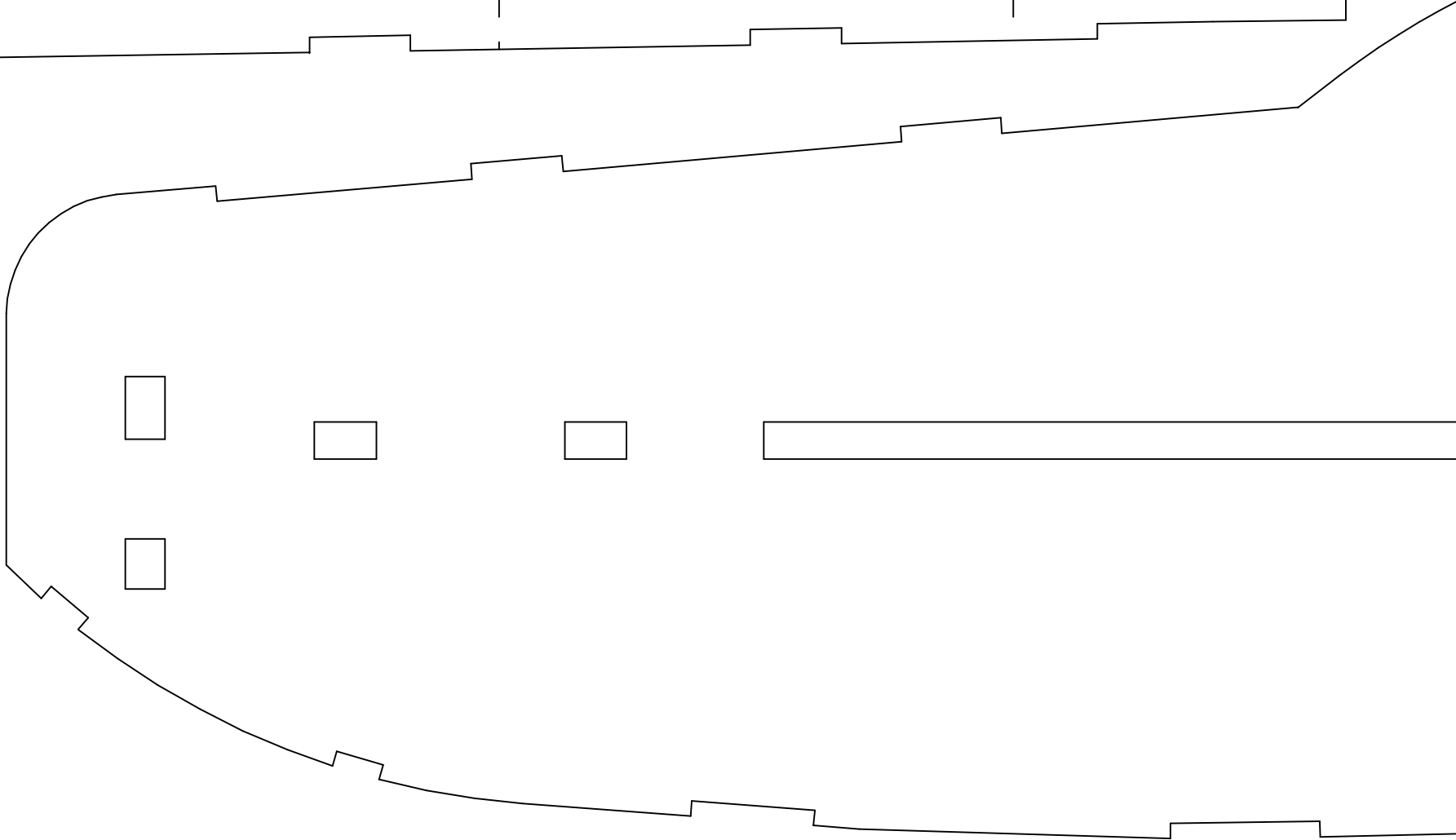
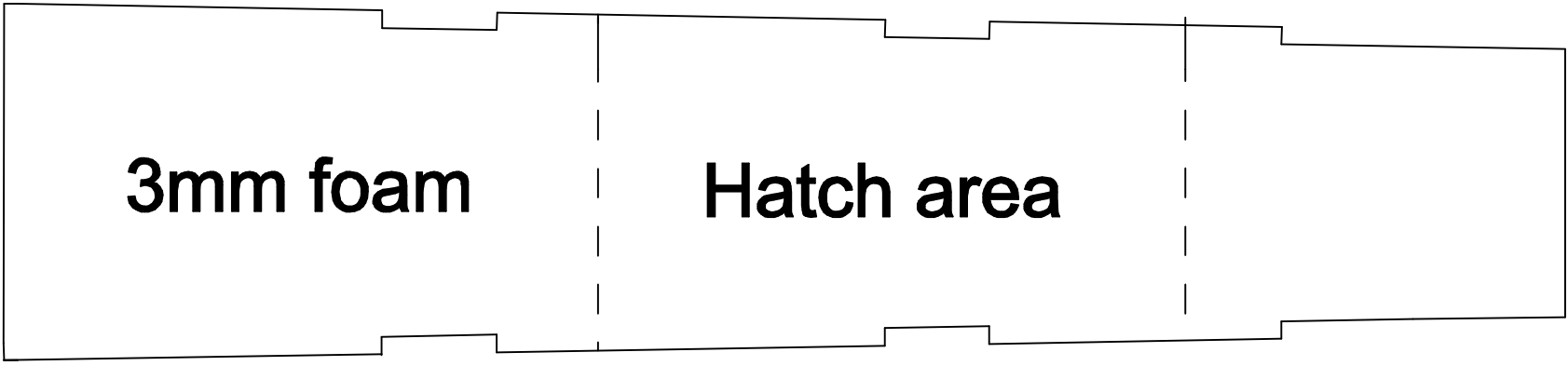
3mm foam

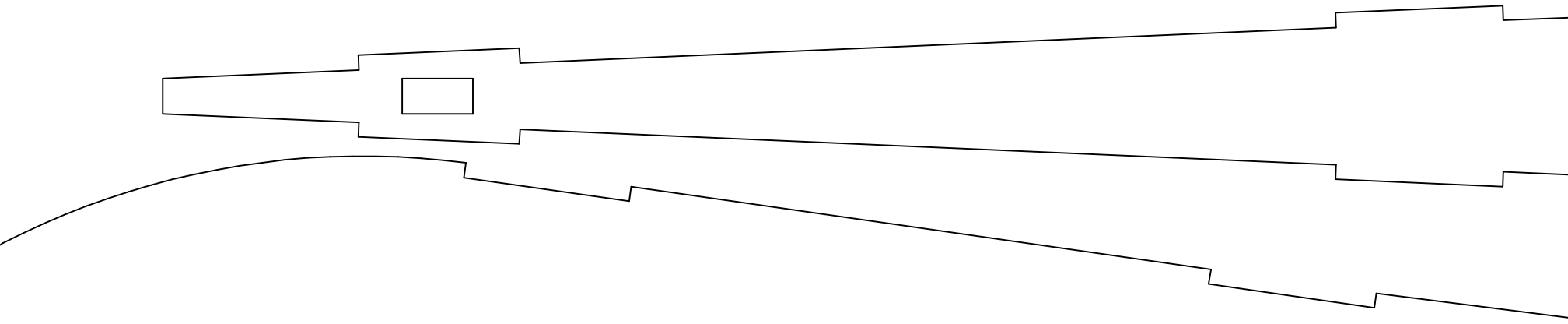
.210" x 29.5" Carbon tube for wing spar



Cooling vent



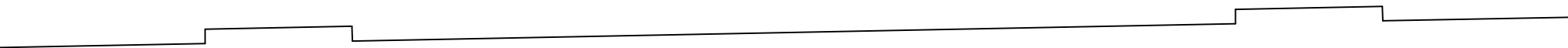




3mm foam



2 Sides needed





3mm foam

A technical drawing of a rectangular component with a tapered top edge. The top edge is slightly wider on the left and tapers towards the right. There are two small rectangular notches on the top edge, one near the left side and one near the right side. The text "3mm foam" is centered within the component.



6mm foam

A technical drawing of a rectangular component with a slightly irregular top edge. The top edge has several small rectangular notches. The text "6mm foam" is centered within the component.